



COUNTING SYSTEMS FOR ITEMS OF FIXED AND MIXED THICKNESS



# The World Counts on Vacuumatic

For over half a century the world has been enjoying the benefits of Vacuumatic's pioneering paper counting technology.

We are global leaders in the production of state-of-the-art paper counting, batch marking and tabbing equipment, from benchtop to flow-line units.

Vacuumatic supplies the security and commercial print industries, paper mills and converters with highest quality products.

When you are working long term with the world's central banks, security and commercial printers, government departments, pharmaceutical houses and paper mills there is no room for error and certainly no room for complacency.

Our machines are designed, developed and manufactured in-house, in the UK, for distribution worldwide from our Colchester HQ, via Vacuumatic companies in Germany and through our comprehensive global network of professional distributors.



## What it all adds up to:

Vacuumatic exports equipment to customers in over ninety countries and is the only supplier in the world offering multiple counting technologies; pin-&-blade, friction, rotary disc, optical and tabbing.

Vacuumatic has earned its reputation for precision and reliability; our customers know they can count on us to deliver.

[www.vacuumatic.com](http://www.vacuumatic.com)

The future always brings fresh challenges. At Vacuumatic we enjoy the opportunity of finding viable solutions to the accuracy and security demands faced by our customers.

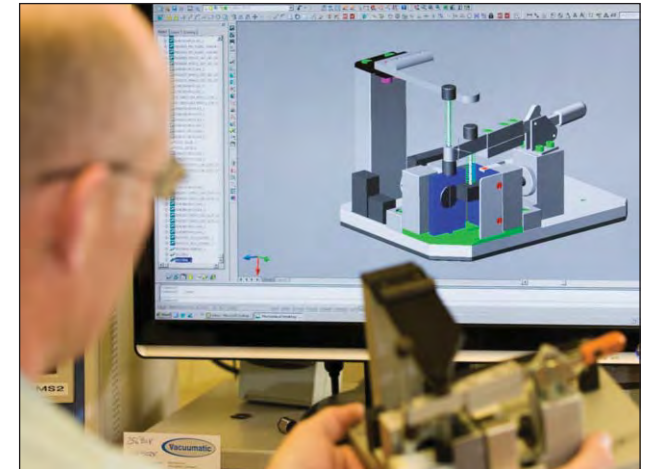
We have a clear focus on our R&D programme; regularly reviewing, upgrading and innovating our product inventory. Our history underlines our long term strategic commitment to progress in the field of paper counting - our stunning Vicount 3 range, for example, is the latest in a sixty year line of commercial counting machines from Vacuumatic.

Vacuumatic has built its name around quality, accuracy, efficiency and reliability. But more than that, we back up our mission statement to supply the world with pioneering, robust and competitively priced counting technology with the added value of unrivalled after sales service and spare parts support.

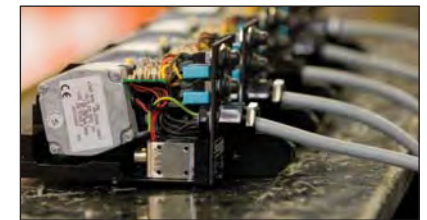
Vacuumatic consider customers to be long term partners rather than simply clients. We have a dedicated team of technical experts and spare parts coordinators working alongside a comprehensive network of distributors, covering the globe.

At Vacuumatic our entire product range is produced in-house, from initial concept, design and development, to manufacturing. Not just the mechanics and hardware; we also develop our own electronic components and software solutions.

We can offer a range of customisation options, enabling us to manufacture the highest quality machinery to our customers' exact specifications. We are the only supplier that can offer both security and commercial clients a 'best practice' consultation to identify specific requirements.



## In-house Creativity, Dedicated Support and Customised Solutions



# Versatility for counting mixed thickness items



*Open hopper design for adding new product on the run.*



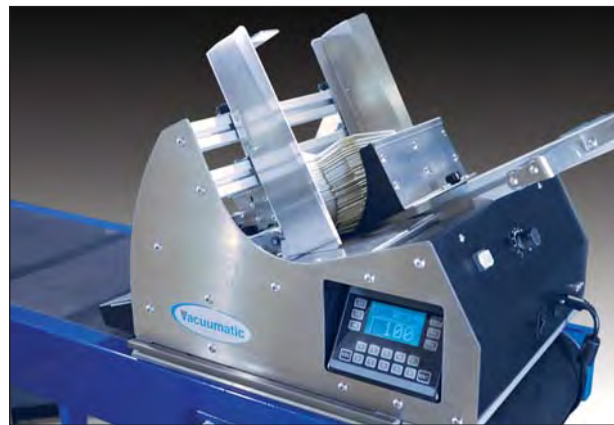
*Self adjusting exit rollers.*

## The TCF Series

The Thickness Compensating Friction feeder (TCF) offers users the opportunity to count and batch a wide range of products and materials that are difficult or impossible to count using traditional methods. Typical applications include the feeding and counting of envelopes (empty or stuffed), booklets, cards, bags and labels up to approximately C4 envelope size.

It has the great advantage of minimal set-up times when the work varies from batch to batch, or where thickness varies from item to item. Examples of this are filled envelopes where contents may vary or booklets where the number of pages is not constant.

The open construction of the machine enables the possibility of integrating a barcode reader or inkjet printer on the output, and it would also allow the unit to be easily added to an existing conveyor or process line.



*The TCF is available as an in-line option.*

The TCF is available in two forms:

- as an in-line feeder for integration with other equipment.
- as a stand-alone feeder mounted on a stand with an integral delivery tray for counting and batching.





*TCF Stand alone option.*

## Typical Applications

Envelopes, filled or unfilled | Polywrapped Magazines

Booklets | Boxes (Flat Pack)

Labels | Pharmaceutical Inserts (Folded)

Die-cut Cards | Paper Bags | CD's in Covers

Credit cards | Exam Papers | Green Cards



*Quick and easy set-up.*

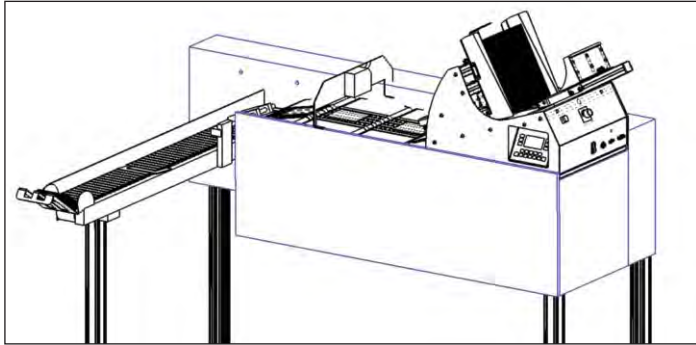
## Features

- Variable item counting
- Unique self-compensating separator
- Minimum set-up required
- Adjustable speed
- Stack sensor

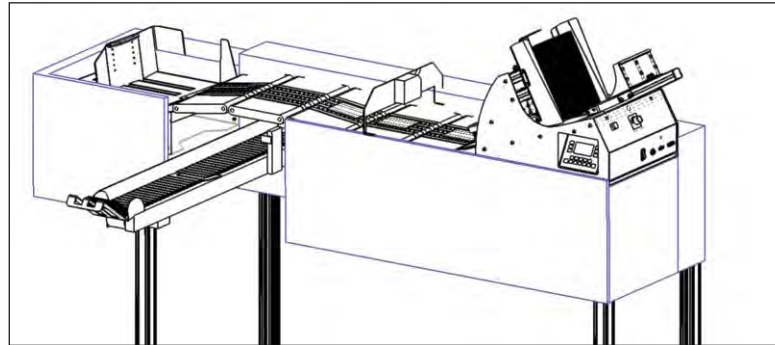
## Benefits

- Suitable for counting a wide range of applications and materials
- Accurate count results guaranteed
- User friendly operation
- Copes with variable items in one set-up
- Efficient to run, minimised downtime

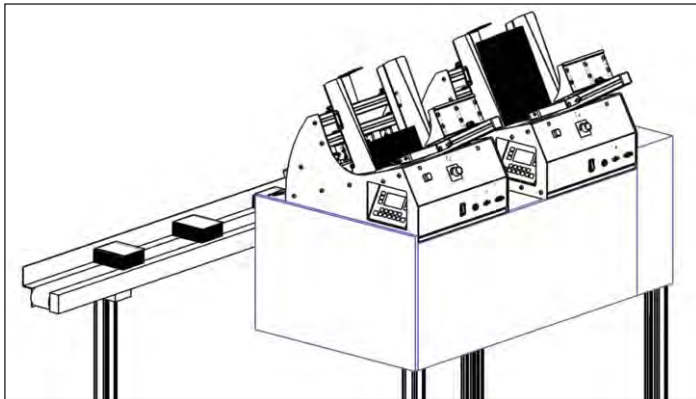
# Some possible system options/ideas



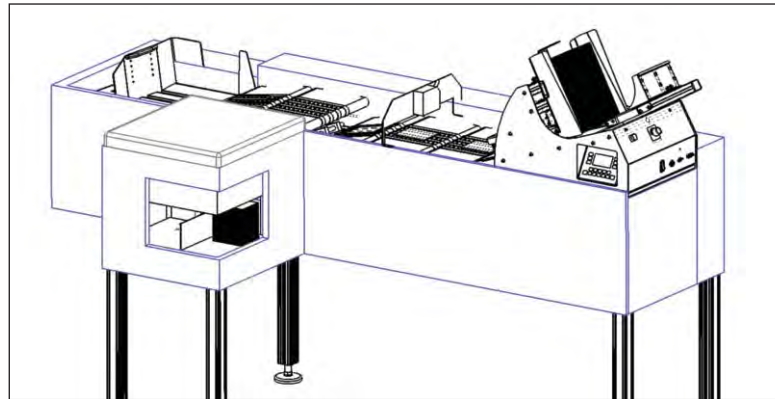
A bar code or camera inspection system has been fitted over the conveyor, A bad read will stop the belt and the item can be removed manually or accepted after a visual check. The counter will ask if you want to deduct the item from the running total or continue to your set batch size. The product is delivered on a shingled belt or alternatively into a stack.



A bar code or camera inspection system has been fitted over the conveyor, a bad read will automatically be sent to a reject area, and good product will be delivered on to the shingled conveyor until the batch size is reached.



Two or more feeders can be linked together. One for batching once the batch size is complete, a signal is sent to the conveyor which steps along. Once in position the second feeder will then receive a signal to feed either a cover sheet or a batch of a second item, and the first feeder will receive a signal to feed a new batch simultaneously.



A bar code or camera inspection system has been fitted over the conveyor, a bad read will automatically be sent to a reject area, and good product will be delivered into a stack jogger. Resulting in a neatly stacked finished batch.

The above are suggestions for integration of the TCF in line version, please contact us to discuss your exact requirements.

# Technical Information

Overall Weight:	In Line Feeder is 20.1 kg	Stand-Alone Feeder is 32 kg
Input Voltage Range	90-264 VAC, 47-63 Hz	
Max. Input Current	1.7A at 115VAC 0.9A at 230VAC	
No Load Input Power	less than 0.5W	
Output Power	180W max.	
Output Voltage	24 VDC	
Width of Sheet Leading Edge	56 to 325mm	
Length of Sheet in Direction of Feed	85 to 325mm	
Batch size	1 to 9999	
Sheet Thickness	up to 5mm	
Hopper Capacity Stack Height	up to 230mm Total Stack Weight : up to 5kg	
Delivery Tray Capacity (where fitted)	up to 115mm	
SPEED	The output belt speed of the feeder is operator adjustable up to 1.8m/s	

## Standard Features:

### Selectable Count Options.

Count Mode  
Simple Batch Mode  
Advanced Batch Mode

### Selectable Start Options.

Manual Start  
Automatic Start  
External Start

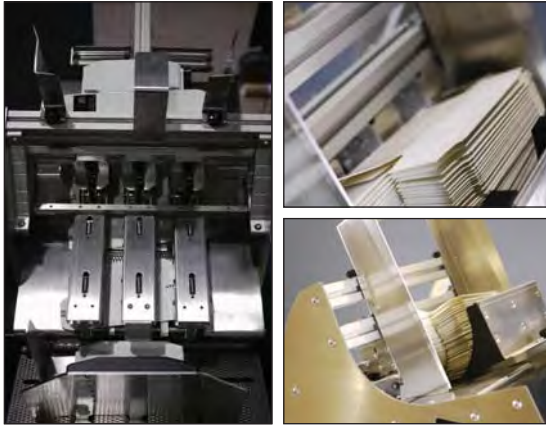
Cleaning cycle

Contrast adjustment

The output rate is dependent on the size of the sheet being fed. Typically, an A5 size sheet fed long edge first could output at up to 8 sheets per second.

All counting speeds, cycle times and paper weight ranges stated are the results of tests carried out under factory conditions. Actual results may vary depending on paper weight, quality and presentation. Other variables such as batch size may also affect performance.

Vacuomatic have made every effort to ensure the accuracy of the information contained within this brochure. Vacuomatic operate a research and development programme which drives continuous product improvement. The services and product specifications contained within this brochure may change without notice.



### Vacuumatic Ltd.

8 Brunel Way, Colchester, Essex, CO4 9QX, United Kingdom  
Tel: +44 (0)1206 841100 Fax: +44 (0)1206 841166  
Email: enquiries@vacuumatic.com

### Vacuumatic Maschinen GmbH.

Emmericher Straße 31, D 46485, Wesel, Germany  
Tel: +49 (0)281 33995 0 Fax: +49 (0)281 33995 20  
Email: info@vacuumatic.de

### Your Local Distributor:



[www.vacuumatic.com](http://www.vacuumatic.com)

