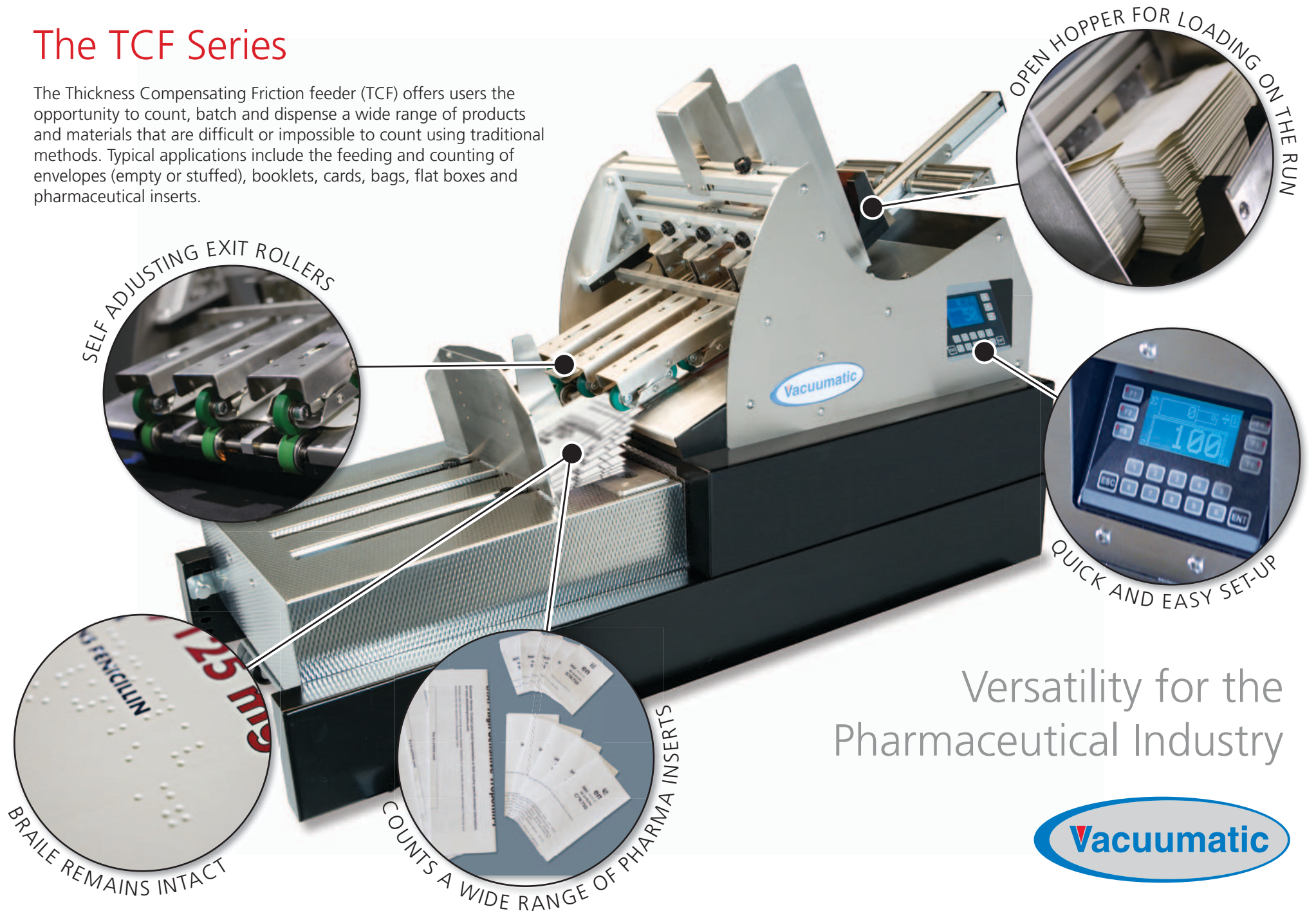


# The TCF Series

The Thickness Compensating Friction feeder (TCF) offers users the opportunity to count, batch and dispense a wide range of products and materials that are difficult or impossible to count using traditional methods. Typical applications include the feeding and counting of envelopes (empty or stuffed), booklets, cards, bags, flat boxes and pharmaceutical inserts.



OPEN HOPPER FOR LOADING ON THE RUN

SELF ADJUSTING EXIT ROLLERS

QUICK AND EASY SET-UP

BRAILLE REMAINS INTACT

COUNTS A WIDE RANGE OF PHARMA INSERTS

## Versatility for the Pharmaceutical Industry



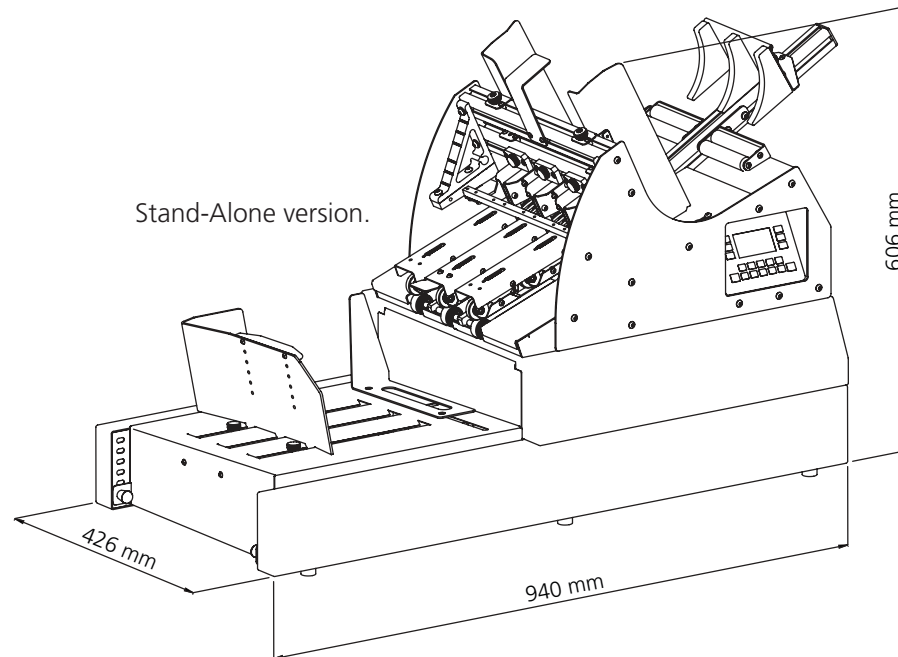
# Technical Information

\*The output rate is dependent on the size of the sheet being fed. Typically, an A5 size sheet fed long edge first could output at up to 8 sheets per second.

All counting speeds, cycle times and paper weight ranges stated are the results of tests carried out under factory conditions. Actual results may vary depending on paper weight, quality and presentation. Other variables such as batch size, disc type or blade selection may also affect performance.

Vacuomatic have made every effort to ensure the accuracy of the information contained within this brochure. Vacuomatic operate a research and development programme which drives continuous product improvement. The services and product specifications contained within this brochure may change without notice.

<b>Overall Weight</b>	In Line Feeder is 20.1 kg	Stand-Alone Feeder is 32 kg
<b>Input Voltage Range</b>	90-264 VAC, 47-63 Hz	
<b>Max. Input Current</b>	1.7A at 115VAC 0.9A at 230VAC	
<b>No Load Input Power</b>	less than 0.5W	
<b>Output Power</b>	180W max.	
<b>Output Voltage</b>	24 VDC	
<b>Width of Sheet Leading Edge</b>	56 to 325mm	
<b>Length of Sheet in Direction of Feed</b>	85 to 325mm	
<b>Batch Size</b>	1 to 9999	
<b>Sheet Thickness</b>	up to 5mm	
<b>Hopper Capacity Stack Height</b>	up to 230mm Total Stack Weight : up to 5kg	
<b>Delivery Tray Capacity (where fitted)</b>	up to 115mm	
<b>Speed*</b>	The output belt speed of the feeder is operator adjustable up to 1.8m/s	
<b>Option</b>	Label Printer	



Stand-Alone version.

## Vacuomatic Ltd.

8 Brunel Way, Colchester, Essex, CO4 9QX, United Kingdom  
 Tel: +44 (0)1206 841100 Fax: +44 (0)1206 841166  
 Email: enquiries@vacuomatic.com

## Vacuomatic Maschinen GmbH.

Emmericher Str. 31, D-46485 Wesel, Germany  
 Tel: +49 (0)281 33995 0 Fax: +49 (0)281 33995 20  
 Email: info@vacuomatic.de

[www.vacuomatic.com](http://www.vacuomatic.com)

